

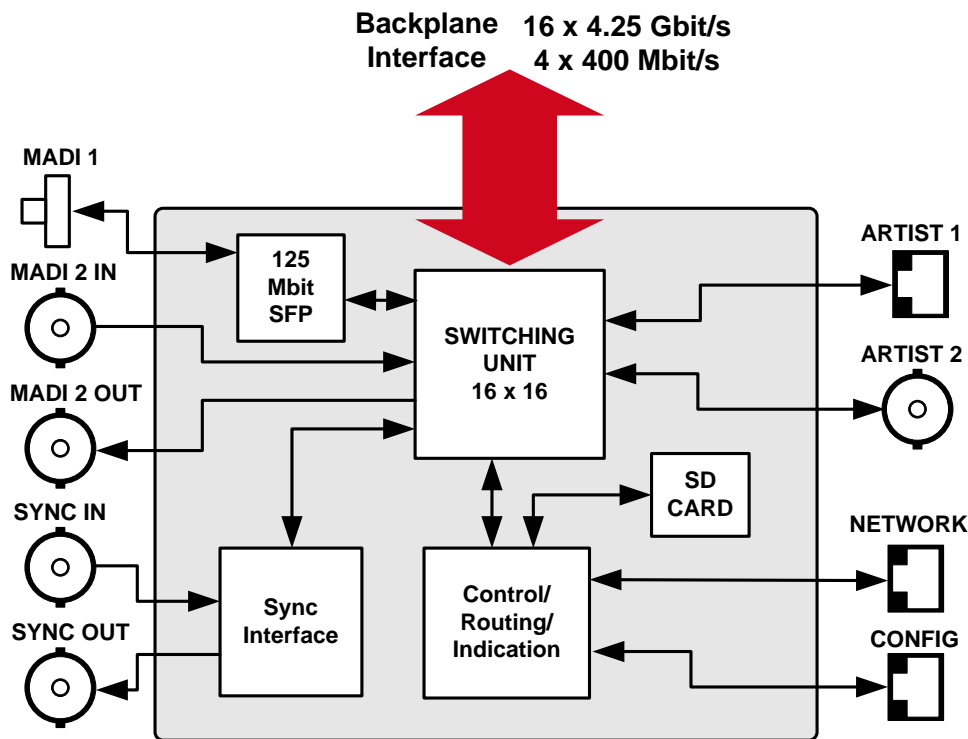
# MediorNet MN-XSS

The MN-XSS Processing Card is a mandatory plug-in of any MediorNet Modular mainframe.

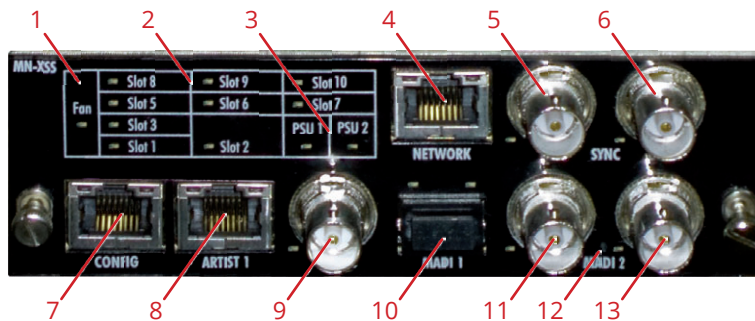
- 1 x 10/100Base-T Ethernet Port for configuration PC's
- 1 x 10/100/1000Base-T Gigabit Ethernet Port to tunnel electrical Ethernet over the MediorNet network
- 2 x Artist Intercom Panel connectors 1 x RJ45, 1 x BNC, independently usable, configurable to connect Artist mainframe, Artist Panel or standard AES data stream at 48/96 kHz
- 2 x bi-directional MADI interfaces  
1 x optical via SFP module, 1 x electrical via two BNC connectors  
48/96 kHz Sample Rate  
56/64 channels @ 48 kHz Sample Rate  
28/32 channels @ 96 kHz Sample Rate  
opt. port includes Sample Rate Converter for 48kHz MADI input
- 1 x Sync In & 1 x Sync Out  
2 x BNC connectors for reference in and out
- LED status indication for all cards and modules
- Each MN-XSS Card has an Ethernet MAC- and IP address.  
(set to "automatic IP" in stand-alone activity: IP:169.254.1.1 Mask:255.255.0.0)
- The MN-XSS Card must be fitted into slot 2/4 in the MediorNet Modular mainframe



## Block Diagram



# MediorNet MN-XSS



## Legend

- 1) FAN Status LED
- 2) SLOT Status LEDs
- 3) PSU Status LEDs
- 4) NETWORK RJ45 Port & Status LEDs
- 5) SYNC IN BNC Port & Status LED
- 6) SYNC OUT BNC Port & Status LED
- 7) CONFIG RJ45 Port & Status LEDs
- 8) ARTIST 1 RJ45 Port & Status LEDs
- 9) ARTIST 2 BNC Port & Status LED
- 10) MADI 1 SFP Port & Status LEDs
- 11) MADI 2 IN BNC Port & Status LED
- 12) RESET button
- 13) MADI 2 OUT BNC Port & Status LED

### Status LEDs

	off	green	orange	red
PSU & FAN	Processor card not active	OK	Warning	Error
SLOT	No active card in slot	Active card in slot	Card started / card update ongoing	Card failure / card incompatible
NETWORK & CONFIG	--	on: Ethernet connection OK off: No connection	on: Full duplex mode off: Half duplex mode	--
SYNC IN	No SYNC signal at the input	Connected SYNC signal is valid	Frame is Sync Master and in locking state	--
SYNC OUT	Frame is Sync Slave and SYNC OUT is not active	SYNC OUT is active	Frame is Sync Master	--
ARTIST 1	--	on: Input signal OK off: No/invalid signal at the input	on: Connection OK off: No connection	--
ARTIST 2	No signal at the input	Input signal OK	--	--
MADI 1 left SFP / MADI 2 BNC input	No valid MADI signal on input	Valid MADI signal (input locked)	--	only MADI 1: SFP RX Power warning/error
MADI 1 right SFP / MADI 2 BNC output	No valid Audio signal present	Valid Audio signal present (at least 1 MADI/AES3 connection present)	--	--

### Reset

Short push on the RESET button ( <i>less than 4 seconds</i> )	The frame will be restarted (equal to a power cycle).
Long push on the RESET button ( <i>more than 4 seconds</i> )	Frame will be reset to factory default. All Settings in this frame will be deleted, the IP address is set to default and the frame will be restarted.

### Bi-Directional Ports

MADI	Multi Channel Digital Audio as per AES 10-2003 48 / 96 kHz
	Channel Modes 56 ch / 64 ch @ 48 kHz 28 ch / 32 ch @ 96 kHz
	Resolution 24 Bit
ARTIST	Digital Audio as per AES 3-2003 48 / 96 kHz Sample Rate Converter @ 48 kHz (User Selectable) Direct Connection of Artist Intercom Panels Resolution 24 Bit
	1000BASE-X, 1000BASE-T, 100BASE-T (full duplex only), 10BASE-T (full duplex only) RFC 2544 Compliant Jumbo Frames Support

### Inputs

<b>Sync Reference</b>	
Input Formats	Blackburst NTSC/PAL (incl. VITC), Tri-Level 720p 50/59/60, Tri-Level 1080i 50/59/60, Tri-Level 1080p 23/24/25/29/30, Wordclock 48/96/192kHz

### Outputs

<b>Sync Reference</b>	
Output Formats	Blackburst NTSC/PAL (incl. VITC), Tri-Level 720p 23/24/25/29/30/50/59/60, Tri-Level 1080i 50/59/60, Tri-Level 1080p 23/24/25/29/30, Wordclock 48/96/192kHz, VITC ON/OFF Selectable on Blackburst Outputs

### System Transport Latencies

Video/Audio Transport Delay	Min. 500 µs, Max. 1 Frame + 150 µs (depending on system synchronisation setup)
-----------------------------	--

### Overall

Environmental Temperature	-5 °C to +40 °C (Non-condensing)
Supply Voltage	12 VDC
Power Consumption	29 W
Dimensions (w×h×d)	132 mm × 40 mm × 317 mm
Weight	620 g